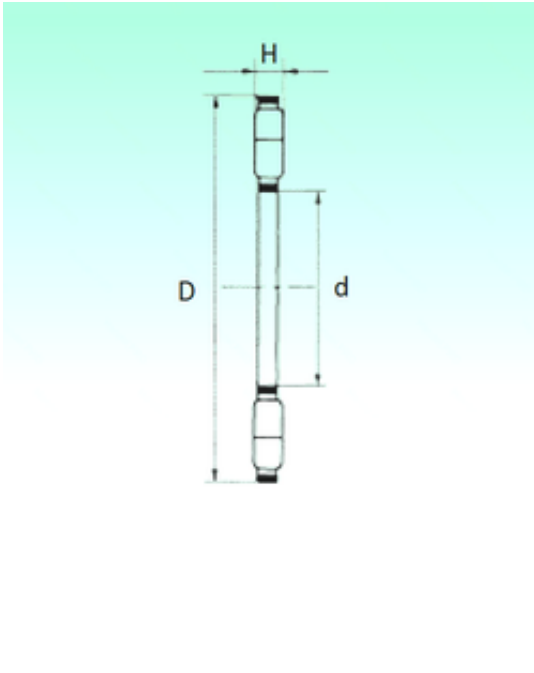




BEARING CORP. LTD.



NBS K89318-M thrust roller bearings

Bearing No. K89318-M

Bore Diameter	90 mm
Outer Diameter	155 mm
d	90 mm
D	155 mm
Dw	12 mm
Weight	0,62 Kg
Basic dynamic load rating (C)	329,5 kN
Basic static load rating (C0)	1199,4 kN

K89318-M Bearing 2D drawings and 3D CAD models