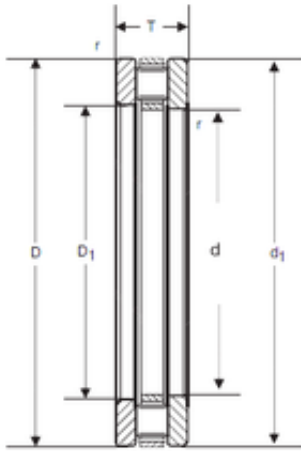




BEARING CORP. LTD.

SIGMA 81126 thrust roller bearings

Bearing No. 81126



Size	130x170x30 mm
Bore Diameter	130 mm
Outer Diameter	170 mm
Width	30 mm
d	130 mm
D	170 mm
T	30 mm
d1	170 mm
D1	132 mm

81126 Bearing 2D drawings and 3D CAD models