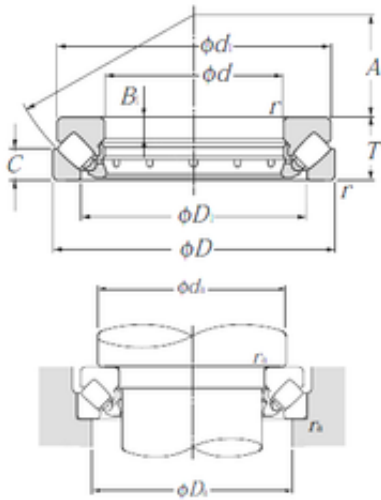




BEARING CORP. LTD.

NTN 29464 thrust roller bearings

Bearing No. 29464



29464 Bearing 2D drawings and 3D CAD models

Size	320x580x155 mm
Bore Diameter	320 mm
Outer Diameter	580 mm
Width	155 mm
d	320 mm
D	580 mm
T	155 mm
B1	55 mm
C	75 mm
d1	555 mm
r min.	7,5 mm
A	191 mm
D1	435 mm
da min.	435 mm
Da max.	495 mm
ra max.	6 mm
Weight	181 Kg
Basic dynamic load rating (C)	3 700 kN
Basic static load rating (C0)	14 200 kN