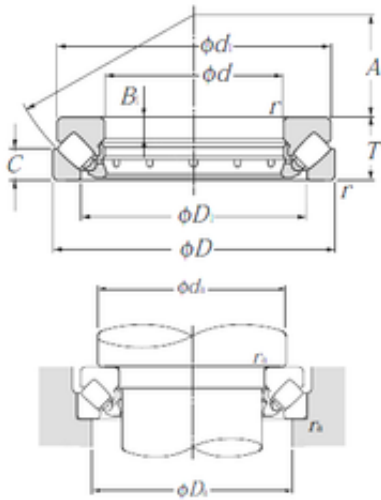




BEARING CORP. LTD.

NTN 29284 thrust roller bearings

Bearing No. 29284



29284 Bearing 2D drawings and 3D CAD models

Size	420x580x95 mm
Bore Diameter	420 mm
Outer Diameter	580 mm
Width	95 mm
d	420 mm
D	580 mm
T	95 mm
B1	30 mm
C	46 mm
d1	564 mm
r min.	5 mm
A	225 mm
D1	489 mm
da min.	490 mm
Da max.	525 mm
ra max.	4 mm
Weight	76,6 Kg
Basic dynamic load rating (C)	2 100 kN
Basic static load rating (C0)	10 400 kN