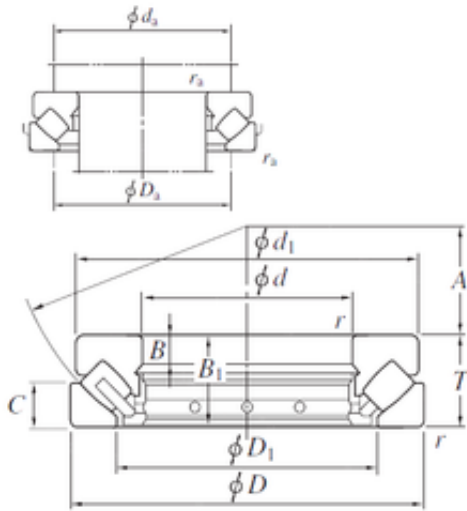




# BEARING CORP. LTD.

## 320 mm x 440 mm x 21 mm KOYO 29264R thrust roller bearings

Bearing No. 29264R



29264R Bearing 2D drawings and 3D CAD models

Size	320x440x73 mm
Bore Diameter	320 mm
Outer Diameter	440 mm
Width	73 mm
d	320 mm
D	440 mm
T	73 mm
d1	430 mm
r min.	3 mm
A	172 mm
B	21 mm
B1	69 mm
C	38 mm
D1	372 mm
da min.	375 mm
Da max.	400 mm
ra max.	25 mm
Weight	327 Kg
Basic dynamic load rating (C)	1430 kN
Bearing No.	29264R
r(min)	3
Ca	1780
Coa	6480
Oil lub.	900
da(min)	375



## BEARING CORP. LTD.

Da(max)	400
ra(max)	2.5
(Refer.)Mass(kg)	32.7