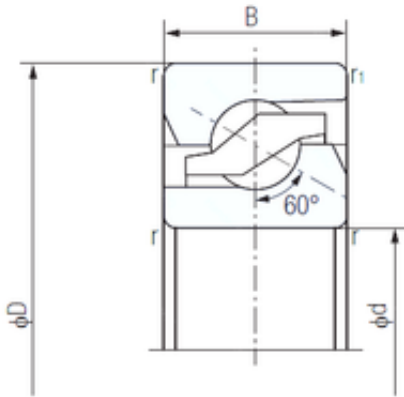




## BEARING CORP. LTD.

### 45 mm x 75 mm x 15 mm NACHI 45TAB07 thrust ball bearings

Bearing No. 45TAB07



45TAB07 Bearing 2D drawings and 3D CAD models

Size	45x75x15 mm
Bore Diameter	45 mm
Outer Diameter	75 mm
Width	15 mm
d	45 mm
D	75 mm
B	15 mm
C	15 mm
Angle ( ° )	60 °
r min.	1 mm
r1 min.	0,6 mm
Weight	0,25 Kg
Basic dynamic load rating (C)	33,5 kN
Basic static load rating (C0)	59,5 kN
(Grease) Lubrication Speed	3400 r/min