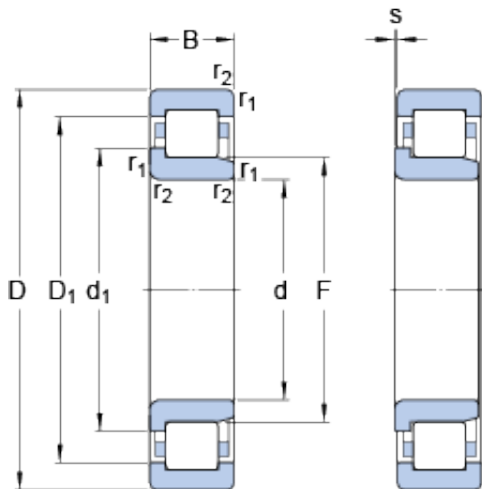




# BEARING CORP. LTD.



## 560 mm x 820 mm x 115 mm SKF NJ 10/560 MA thrust ball bearings

Bearing No. NJ 10/560 MA

|   |                |
|---|----------------|
| Size                                      | 820x560x115 mm |
| Bore Diameter                             | 820 mm         |
| Outer Diameter                            | 560 mm         |
| Width                                     | 115 mm         |
| d   | 560 mm         |
| D   | 820 mm         |
| B   | 115 mm         |
| d <sub>1</sub>                            | 648 mm         |
| D <sub>1</sub>                            | 726 mm         |
| F   | 625 mm         |
| r <sub>1,2</sub> - min.                   | 6 mm           |
| s   | 12.3 mm        |
| d <sub>a</sub> - min.                     | 583 mm         |
| d <sub>a</sub> - max.                     | 617 mm         |
| d <sub>b</sub> - min.                     | 655 mm         |
| D <sub>a</sub> - max.                     | 797 mm         |
| r <sub>a</sub> - max.                     | 5 mm           |
| Basic dynamic load rating - C             | 2330 kN        |
| Basic static load rating - C <sub>0</sub> | 4250 kN        |
| Fatigue load limit - P <sub>u</sub>       | 310 kN         |
| Reference speed                           | 750 r/min      |
| Limiting speed                            | 1000 r/min     |
| Calculation factor - k <sub>r</sub>       | 0.1            |
| d <sub>1</sub>                            | 648 mm         |

NJ 10/560 MA Bearing 2D drawings and 3D CAD models



## BEARING CORP. LTD.

|                                |         |
|--------------------------------|---------|
| $D_1$                          | 726 mm  |
| $r_{1,2}$ min.                 | 6 mm    |
| s max.                         | 12.3 mm |
| $d_a$ min.                     | 583 mm  |
| $d_a$ max.                     | 617 mm  |
| $d_b$ min.                     | 655 mm  |
| $D_a$ max.                     | 797 mm  |
| $r_a$ max.                     | 5 mm    |
| Basic dynamic load rating C    | 2330 kN |
| Basic static load rating $C_0$ | 4250 kN |
| Fatigue load limit $P_u$       | 310 kN  |
| Calculation factor $k_r$       | 0.1     |
| Limiting value e               | 0.2     |
| Axial load factor Y            | 0.6     |
| Mass bearing                   | 210 kg  |