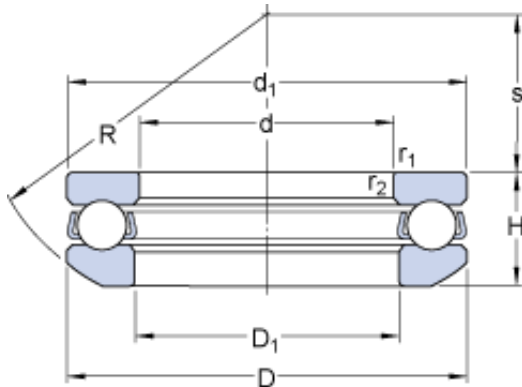




# BEARING CORP. LTD.



## SKF 53215 + U 215 thrust ball bearings

Bearing No. 53215 + U 215

Size	110x75x28.3 mm
Bore Diameter	110 mm
Outer Diameter	75 mm
Width	28,3 mm
d	75 mm
D	110 mm
H	28.3 mm
H <sub>1</sub>	32 mm
d <sub>1</sub>	110 mm
D <sub>1</sub>	77 mm
D <sub>2</sub>	92 mm
D <sub>3</sub>	115 mm
C	9.5 mm
R	90 mm
s	49 mm
r <sub>1,2</sub> - min.	1 mm
d <sub>a</sub> - min.	96 mm
D <sub>a</sub> - max.	92 mm
r <sub>a</sub> - max.	1 mm
Basic dynamic load rating - C	63.7 kN
Basic static load rating - C <sub>0</sub>	170 kN
Fatigue load limit - P <sub>u</sub>	6.2 kN
Reference speed	2400 r/min
Limiting speed	3400 r/min

53215 + U 215 Bearing 2D drawings and 3D CAD models



## BEARING CORP. LTD.

Minimum load factor - A	0.17
$H_1$	32 mm
$d_1$	110 mm
$D_1$	77 mm
$D_2$	92 mm
$D_3$	115 mm
$r_{1,2}$ min.	1 mm
$d_a$ min.	96 mm
$D_a$ max.	92 mm
$r_a$ max.	1 mm
Basic dynamic load rating C	63.7 kN
Basic static load rating $C_0$	170 kN
Fatigue load limit $P_u$	6.2 kN
Minimum load factor A	0.17
Mass bearing (including seat washer where applicable)	1 kg