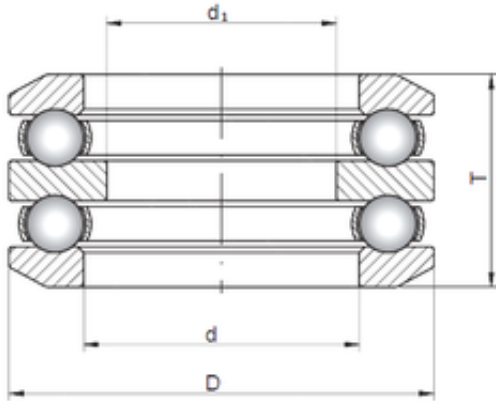




# BEARING CORP. LTD.

## ISO 54238 thrust ball bearings



Bearing No. 54238

Size	194x270x116.4 mm
Bore Diameter	194 mm
Outer Diameter	270 mm
Width	116,4 mm
d	194 mm
d1	160 mm
D	270 mm
T	116,4 mm

54238 Bearing 2D drawings and 3D CAD models