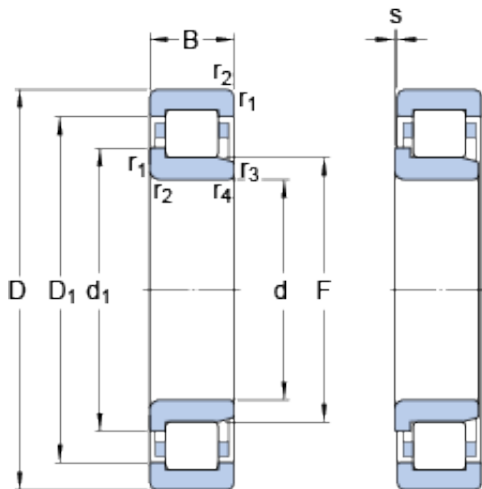




BEARING CORP. LTD.



170 mm x 260 mm x 42 mm SKF NJ 1034 ML
thrust ball bearings

Bearing No. NJ 1034 ML

NJ 1034 ML Bearing 2D drawings and 3D CAD models

Size	260x170x42 mm
Bore Diameter	260 mm
Outer Diameter	170 mm
Width	42 mm
d	170 mm
D	260 mm
B	42 mm
d ₁	201 mm
D ₁	226.9 mm
F	193 mm
r _{1,2} - min.	2.1 mm
r _{3,4} - min.	2.1 mm
s	5.8 mm
d _a - min.	180 mm
d _a - max.	189 mm
d _b - min.	206 mm
D _a - max.	250 mm
r _a - max.	2 mm
Basic dynamic load rating - C	275 kN
Basic static load rating - C ₀	400 kN
Fatigue load limit - P _u	41.5 kN
Reference speed	2800 r/min
Limiting speed	4300 r/min
Calculation factor - k _r	0.15



BEARING CORP. LTD.

d_1	201 mm
D_1	226.9 mm
$r_{1,2}$ min.	2.1 mm
$r_{3,4}$ min.	2.1 mm
s max.	5.8 mm
d_a min.	180 mm
d_a max.	189 mm
d_b min.	206 mm
D_a max.	250 mm
r_a max.	2 mm
Basic dynamic load rating C	275 kN
Basic static load rating C_0	400 kN
Fatigue load limit P_u	41.5 kN
Calculation factor k_r	0.15
Limiting value e	0.2
Axial load factor Y	0.6
Mass bearing	8.18 kg