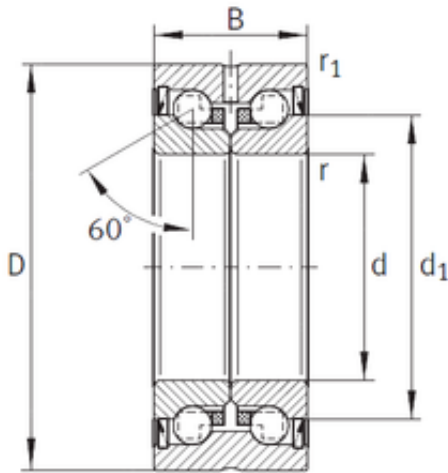




# BEARING CORP. LTD.



30 mm x 62 mm x 28 mm INA ZKLN3062-2RS-PE thrust ball bearings

Bearing No. ZKLN3062-2RS-PE

ZKLN3062-2RS-PE Bearing 2D drawings and 3D CAD models

Size	30x62x28 mm
Bore Diameter	30 mm
Outer Diameter	62 mm
Width	28 mm
d	30 mm
D	62 mm
B	28 mm
C	28 mm
Angle (?)	60 °
d1	45,5 mm
r min.	0,3 mm
r1 min.	0,6 mm
Weight	0,39 Kg
Basic dynamic load rating (C)	29 000 kN
Basic static load rating (C0)	64 000 kN
Category	Precision Ball Bearings
Inventory	0.0
Manufacturer Name	SCHAEFFLER GROUP
Minimum Buy Quantity	N/A
Weight / Kilogram	0.467
Product Group	B00152
Enclosure	2 Seals
Precision Class	ABEC 5   ISO P5
Material - Ball	Steel
Number of Bearings	1 (Single)



## BEARING CORP. LTD.

Contact Angle	60 Degree
Preload	None
Raceway Style	Not Applicable
Cage Material	Plastic
Rolling Element	Ball Bearing
Enclosure Type	Contact Seal
Flush Ground	No
Inch - Metric	Metric
Other Features	Double Row   Angular Contact Thrust Bearing   Double Direction   Ball Screw Support
Long Description	30MM Bore; 62MM Outside Diameter; 28MM Width; 2 Seals Enclosure; ABEC 5   ISO P5 Precision; Steel Ball Material; 1 (Single) Bearing; 60 Degree Contact Angle; Plastic Cage Material; Ball Bearing
Category	Precision Ball Bearings
UNSPSC	31171531
Harmonized Tariff Code	8482.10.50.28
Noun	Bearing
Keyword 3	Thrust
Keyword String	Ball Angular Contact Thrust
Manufacturer URL	<a href="http://www.ina.com">http://www.ina.com</a>
Weight / LBS	0.8598
Width	1.102 Inch   28 Millimeter
Bore	1.181 Inch   30 Millimeter
Outside Diameter	2.441 Inch   62 Millimeter