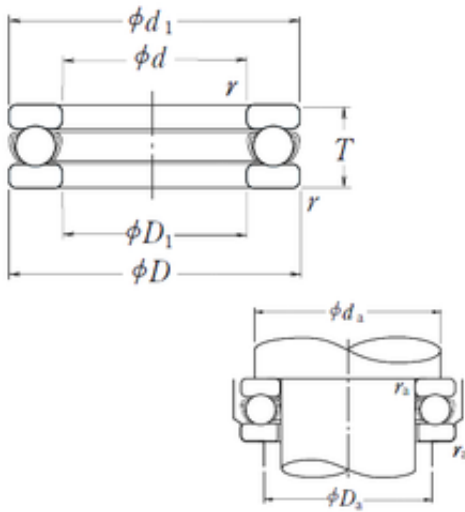




BEARING CORP. LTD.



NSK 51412 thrust ball bearings

Bearing No. 51412

Size	60x130x51 mm
Bore Diameter	60 mm
Outer Diameter	130 mm
Width	51 mm
d	60 mm
D	130 mm
T	51 mm
d1	130 mm
r min.	1,5 mm
D1	62 mm
da min.	102 mm
Da max.	88 mm
ra max.	1,5 mm
Weight	3,16 Kg
Basic dynamic load rating (C)	202 kN
Basic static load rating (C0)	395 kN
(Grease) Lubrication Speed	1200 r/min
Category	Thrust Ball Bearing
Inventory	0.0
Manufacturer Name	NSK
Minimum Buy Quantity	N/A
Weight / Kilogram	3.3
Product Group	B00308
Rolling Element	Ball Bearing
Thrust Bearing	Yes
Single or Double Direction	Single Direction

51412 Bearing 2D drawings and 3D CAD models



BEARING CORP. LTD.

Banded	No
Cage Material	Steel
Precision Class	Non-Precision
Component Description	Roller Assembly Plus Raceways
Other Features	Single Row With Flat Seat
Long Description	60MM Bore 1; 62MM Bore 2; 130MM Outside Diameter; 51MM Height; Ball Bearing; Single Direction; Not Banded; Steel Cage; Non-Precision
Inch - Metric	Metric
Category	Thrust Ball Bearings
UNSPSC	31171552
Harmonized Tariff Code	8482.10.50.08
Noun	Bearing
Keyword String	Ball Thrust
Manufacturer URL	http://www.nskamericas.com
Manufacturer Item Number	51412
Weight / LBS	6.96661
Outside Diameter	5.118 Inch 130 Millimeter
Bore 2	2.441 Inch 62 Millimeter
Overall Height with Aligning Washer	0 Inch 0 Millimeter
Height	2.008 Inch 51 Millimeter
Bore 1	2.362 Inch 60 Millimeter
bore diameter:	60 mm
static load capacity:	89500 lbf
outside diameter:	130 mm
dynamic load capacity:	45500 lbf
overall width:	51 mm
operating temperature range:	Maximum of +120 ° C



BEARING CORP. LTD.

thrust bearing type:	Single-Direction
maximum rpm:	1800 rpm
outside diameter design:	Straight
cage material:	Steel Cage
separable or banded:	Separable
fillet radius:	1.5 mm
race type:	Flat
series:	51400
precision rating:	ABEC1, P0
SRI	13.7
hidYobi	51412
LangID	1
D_	130
SREX	0.1
C	202
B_	51
hidTable	ecat_NSSDTB
Oil rpm	1800
SRE	13.7
mass	3.16
GRS rpm	1200
ra	1.5
SRIX	0.1
D_a	88
SRIN	0
C0	395
SREN	0
D_1	62
Prod_Type3	TB_SD_WFS
da	102
DA_	25.4
Z_	10



BEARING CORP. LTD.

yobi	51412
SDM_	95
r	1.5
T_	51
KBRG	5111