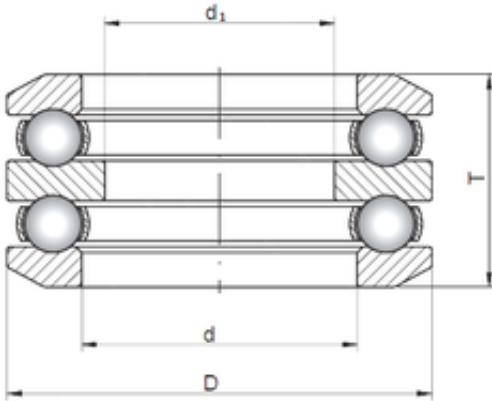




BEARING CORP. LTD.

ISO 54309 thrust ball bearings



Bearing No. 54309

Size	47x85x56.2 mm
Bore Diameter	47 mm
Outer Diameter	85 mm
Width	56,2 mm
d	47 mm
d1	35 mm
D	85 mm
T	56,2 mm

54309 Bearing 2D drawings and 3D CAD models