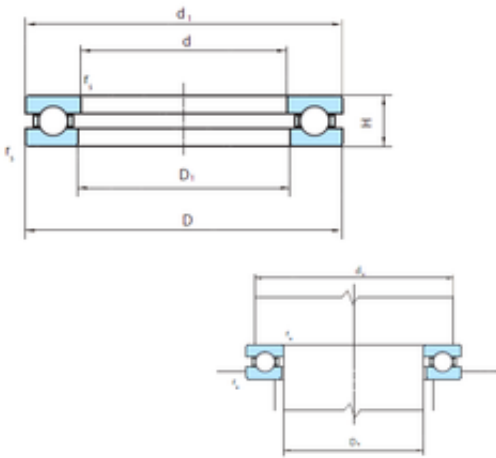




BEARING CORP. LTD.

PSL 51184 thrust ball bearings

Bearing No. 51184



51184 Bearing 2D drawings and 3D CAD models

Size	420x500x65 mm
Bore Diameter	420 mm
Outer Diameter	500 mm
Width	65 mm
d	420 mm
D	500 mm
H	65 mm
d1	495 mm
r min.	2 mm
D1	424 mm
da min.	470 mm
Da max.	450 mm
ra max.	2 mm
Weight	25 Kg
Basic dynamic load rating (C)	460 kN
Basic static load rating (C0)	2255 kN
(Grease) Lubrication Speed	530 r/min