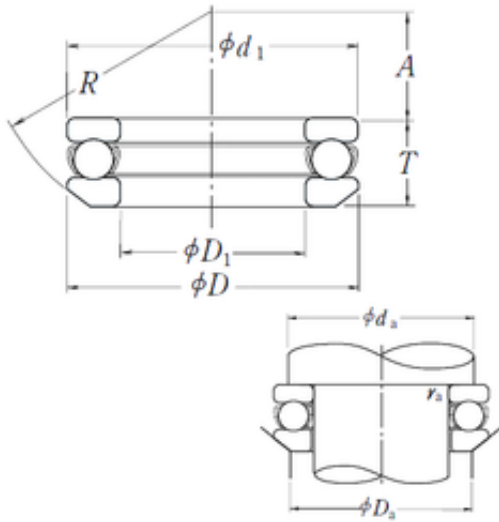




BEARING CORP. LTD.

NSK 53415 thrust ball bearings

Bearing No. 53415



53415 Bearing 2D drawings and 3D CAD models

Size	75x160x69 mm
Bore Diameter	75 mm
Outer Diameter	160 mm
Width	69 mm
d	75 mm
D	160 mm
T	69 mm
d1	160 mm
r min.	2 mm
A	42 mm
D1	78 mm
R	125 mm
da min.	125 mm
Da max.	110 mm
ra max.	2 mm
Weight	6,23 Kg
Basic dynamic load rating (C)	254 kN
Basic static load rating (C0)	560 kN
(Grease) Lubrication Speed	950 r/min
Category	Thrust Ball Bearing
Inventory	0.0
Manufacturer Name	NSK
Minimum Buy Quantity	N/A
Weight / Kilogram	7.87
EAN	0029176413322
Product Group	B00308



BEARING CORP. LTD.

Rolling Element	Ball Bearing
Thrust Bearing	Yes
Single or Double Direction	Single Direction
Banded	No
Cage Material	Steel
Precision Class	Non-Precision
Component Description	Roller Assembly Plus Raceways
Other Features	Single Row With Aligning Seat
Long Description	75MM Bore 1; 78MM Bore 2; 160MM Outside Diameter; 69MM Height; Ball Bearing; Single Direction; Not Banded; Steel Cage; Non-Precision
Inch - Metric	Metric
Category	Thrust Ball Bearings
UNSPSC	31171552
Harmonized Tariff Code	8482.10.50.08
Noun	Bearing
Keyword String	Ball Thrust
Manufacturer URL	http://www.nskamericas.com
Weight / LBS	13.7348
Bore 1	2.953 Inch 75 Millimeter
Outside Diameter	6.299 Inch 160 Millimeter
Height	2.717 Inch 69 Millimeter
Overall Height with Aligning Washer	0 Inch 0 Millimeter
Bore 2	3.071 Inch 78 Millimeter
SRI	16.3
hidYobi	53415
LangID	1
D_	160



BEARING CORP. LTD.

SREX	0.125
C	254
B_	69
hidTable	ecat_NSSDTB
Oil rpm	1400
SRE	16.3
mass	6.23
GRS rpm	950
ra	2
SRIX	0.125
D_a	110
SRIN	0
C0	560
SREN	0
D_1	78
Prod_Type3	TB_SD_WAS
da	125
DA_	30.162
Z_	10
yobi	53415
A_	42
T3	69
SDM_	117.5
r	2
KBRG	5121
R_	125