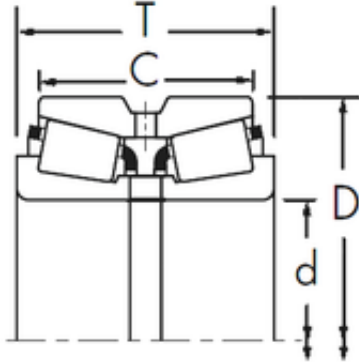




BEARING CORP. LTD.

Timken 495-S/493D+X1S-495-S tapered roller bearings



Bearing No. 495-S/493D+X1S-495-S

Size	71.438x136.525x69.85 mm
Bore Diameter	71,438 mm
Outer Diameter	136,525 mm
Width	69,85 mm
d	71,438 mm
D	136,525 mm
T	69,85 mm
C	53,975 mm
R	3,5 mm
r	0,8 mm

495-S/493D+X1S-495-S Bearing 2D drawings and 3D CAD models