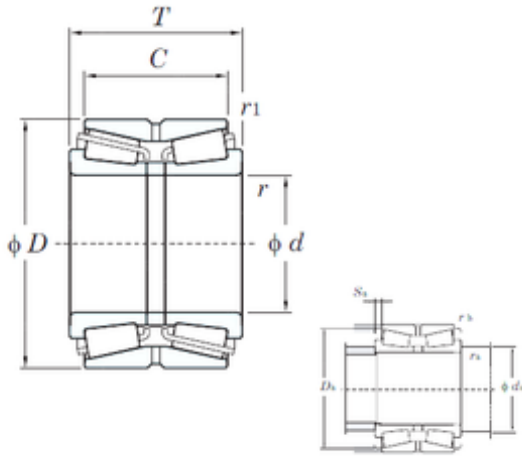




BEARING CORP. LTD.

KOYO 46T30238JR/105 tapered roller bearings



Bearing No. 46T30238JR/105

| | |
|-------------------------------|----------------|
| Size | 190x340x133 mm |
| Bore Diameter | 190 mm |
| Outer Diameter | 340 mm |
| Width | 133 mm |
| d | 190 mm |
| D | 340 mm |
| T | 133 mm |
| C | 105 mm |
| r min. | 4 mm |
| r1 min. | 1,5 mm |
| da min. | 212 mm |
| Da min | 318 mm |
| ra max. | 4 mm |
| rb max. | 1,5 mm |
| Weight | 47,8 Kg |
| Basic dynamic load rating (C) | 1250 kN |
| Basic static load rating (C0) | 2060 kN |
| (Grease) Lubrication Speed | 800 r/min |
| (Oil) Lubrication Speed | 1100 r/min |
| Calculation factor (e) | 0,44 |
| Calculation factor (Y0) | 1,52 |
| Bearing No. | 46T30238JR/105 |
| r(min) | 4 |
| r1(min) | 1.5 |
| Cr | 1560 |
| C0r | 2060 |

46T30238JR/105 Bearing 2D drawings and 3D CAD models



BEARING CORP. LTD.

| | |
|------------------|-------|
| Cu | 118 |
| Grease lub. | 800 |
| Oil lub. | 1100 |
| da(min) | 212 |
| Da(min) | 331.5 |
| Sa(min) | 14 |
| ra(max) | 4 |
| rb(max) | 1.5 |
| e | 0.44 |
| Y2 | 1.55 |
| Y3 | 2.31 |
| Y0 | 1.52 |
| (Refer.)Mass(kg) | 47.8 |