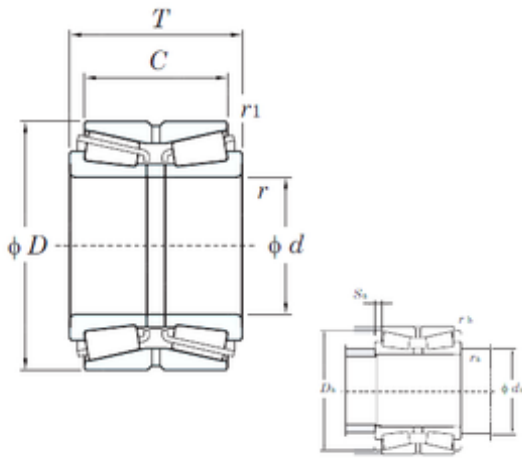




BEARING CORP. LTD.



KOYO 46215 tapered roller bearings

Bearing No. 46215

Size	75x115x30 mm
Bore Diameter	75 mm
Outer Diameter	115 mm
Width	30 mm
d	75 mm
D	115 mm
T	30 mm
C	26 mm
r min.	1,5 mm
r1 min.	0,6 mm
da min.	83,5 mm
Da min	106,5 mm
ra max.	1,5 mm
rb max.	0,6 mm
Weight	0,994 Kg
Basic dynamic load rating (C)	71,7 kN
Basic static load rating (C0)	105 kN
(Grease) Lubrication Speed	2500 r/min
(Oil) Lubrication Speed	3300 r/min
Calculation factor (e)	0,32
Calculation factor (Y0)	2,07
Bearing No.	46215
r(min)	1.5
r1(min)	0.6
Cr	89.9
C0r	105

46215 Bearing 2D drawings and 3D CAD models



BEARING CORP. LTD.

Cu	7.30
Grease lub.	2500
Oil lub.	3300
da(min)	83.5
Da(min)	110
Sa(min)	2
ra(max)	1.5
rb(max)	0.6
e	0.32
Y2	2.12
Y3	3.15
Y0	2.07
(Refer.)Mass(kg)	0.994