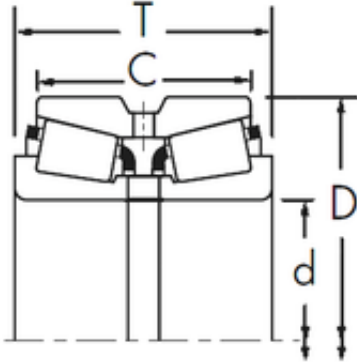




BEARING CORP. LTD.

Timken 749/742DC+X2S-749 tapered roller bearings



Bearing No. 749/742DC+X2S-749

| | |
|----------------|-------------------------|
| Size | 85.026x155.575x101.6 mm |
| Bore Diameter | 85,026 mm |
| Outer Diameter | 155,575 mm |
| Width | 101,6 mm |
| d | 85,026 mm |
| D | 155,575 mm |
| T | 101,6 mm |
| C | 85,725 mm |
| R | 3,5 mm |
| r | 1,5 mm |

749/742DC+X2S-749 Bearing 2D drawings and 3D CAD models