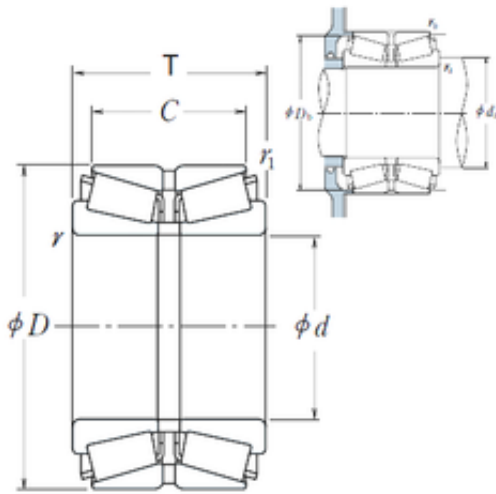




# BEARING CORP. LTD.

## NSK HR50KBE042+L tapered roller bearings



Bearing No. HR50KBE042+L

|                               |             |
|-------------------------------|-------------|
| Size                          | 50x90x48 mm |
| Bore Diameter                 | 50 mm       |
| Outer Diameter                | 90 mm       |
| Width                         | 48 mm       |
| d                             | 50 mm       |
| D                             | 90 mm       |
| T                             | 48 mm       |
| C                             | 38,5 mm     |
| r min.                        | 1,5 mm      |
| r1 min.                       | 0,6 mm      |
| da min.                       | 61 mm       |
| Db min.                       | 87 mm       |
| ra max.                       | 1,5 mm      |
| rb max.                       | 0,6 mm      |
| Weight                        | 1,2 Kg      |
| Basic dynamic load rating (C) | 131 kN      |
| Basic static load rating (C0) | 183 kN      |
| (Grease) Lubrication Speed    | 3200 r/min  |
| (Oil) Lubrication Speed       | 4400 r/min  |
| Calculation factor (e)        | 0,42        |
| Calculation factor (Y0)       | 1,6         |
| Calculation factor (Y2)       | 2,4         |

HR50KBE042+L Bearing 2D drawings and 3D CAD models