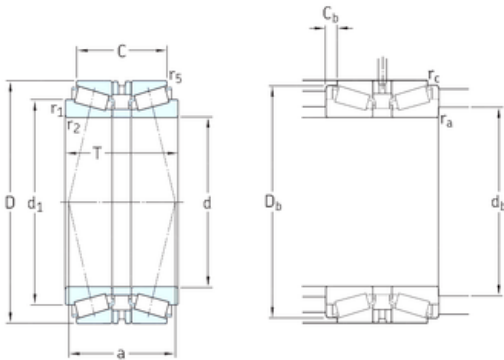




BEARING CORP. LTD.

SKF 32230T248J2/DB31 tapered roller bearings

Bearing No. 32230T248J2/DB31



32230T248J2/DB31 Bearing 2D drawings and 3D CAD models

Size	150x270x248 mm
Bore Diameter	150 mm
Outer Diameter	270 mm
Width	248 mm
d	150 mm
D	270 mm
T	248 mm
C	214 mm
a	222 mm
d1	205 mm
r1 min.	4 mm
r2 min.	4 mm
r5 min.	1 mm
Cb min.	17 mm
db min	166 mm
Db min.	254 mm
ra max.	3 mm
rc max.	1 mm
Weight	39,5 Kg
Basic dynamic load rating (C)	1250 kN
Basic static load rating (C0)	2280 kN
Fatigue load limit (Pu)	224
Reference speed	1400 r/min
Limiting speed	2400 r/min
Calculation factor (e)	0,43
Calculation factor (Y0)	1,6



BEARING CORP. LTD.

Calculation factor (Y1)	1,6
-------------------------	-----