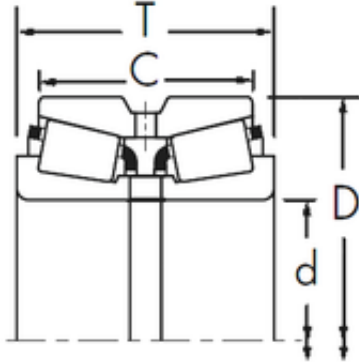




BEARING CORP. LTD.

Timken 66585/66522D+X1S-66585 tapered roller bearings

Bearing No. 66585/66522D+X1S-66585



66585/66522D+X1S-66585 Bearing 2D drawings and 3D CAD models

Size	60x129.982x69.85 mm
Bore Diameter	60 mm
Outer Diameter	129,982 mm
Width	69,85 mm
d	60 mm
D	129,982 mm
T	69,85 mm
C	47,625 mm
R	3,5 mm
r	0,8 mm