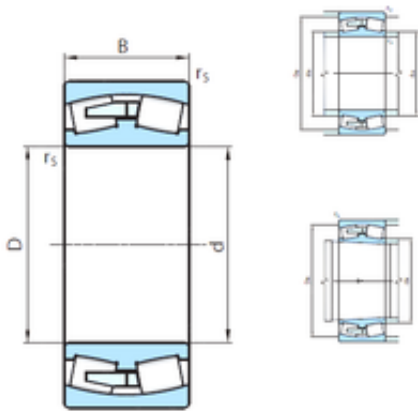




BEARING CORP. LTD.

180 mm x 280 mm x 100 mm PSL
24036CW33MB spherical roller bearings



Bearing No. 24036CW33MB

Size	180x280x100 mm
Bore Diameter	180 mm
Outer Diameter	280 mm
Width	100 mm
d	180 mm
D	280 mm
B	100 mm
C	100 mm
r min.	2,1 mm
da min.	192 mm
Da min	245 mm
Da max.	268 mm
ra max.	2 mm
Weight	23 Kg
Basic dynamic load rating (C)	1020 kN
Basic static load rating (C0)	1960 kN
(Grease) Lubrication Speed	1150 r/min
(Oil) Lubrication Speed	1500 r/min
Calculation factor (e)	0,34
Calculation factor (Y0)	1,9
Calculation factor (Y1)	2

24036CW33MB Bearing 2D drawings and 3D CAD models