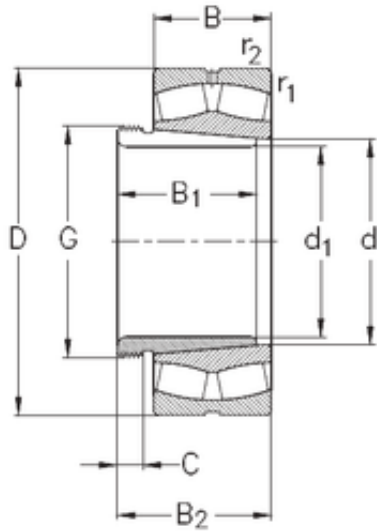




BEARING CORP. LTD.



380 mm x 620 mm x 194 mm NKE 23176-K-MB-W33+AH3176 spherical roller bearings

Bearing No. 23176-K-MB-W33+AH3176

Size	380x620x194 mm
Bore Diameter	380 mm
Outer Diameter	620 mm
Width	194 mm
d	380 mm
d1	360 mm
D	620 mm
B	194 mm
C	194 mm
r1 min.	5 mm
r2 min.	5 mm
B1	232 mm
B2	242 mm
C	36 mm
Thread (G)	Tr 420x5
Weight	314 Kg
Basic dynamic load rating (C)	3740 kN
Basic static load rating (C0)	6970 kN
Limiting speed	1000 r/min
Calculation factor (e)	0,31
Calculation factor (Y0)	2,1
Calculation factor (Y1)	2,2

23176-K-MB-W33+AH3176 Bearing 2D drawings and 3D CAD models