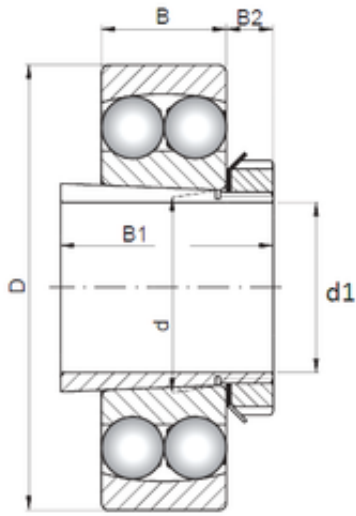




BEARING CORP. LTD.

30 mm x 62 mm x 20 mm ISO
2206K-2RS+H306 self aligning ball bearings



Bearing No. 2206K-2RS+H306

Size	30x62x20 mm
Bore Diameter	30 mm
Outer Diameter	62 mm
Width	20 mm
d	30 mm
d1	25 mm
D	62 mm
B	20 mm
C	20 mm
B1	31 mm
B2	8 mm

2206K-2RS+H306 Bearing 2D drawings and 3D CAD models