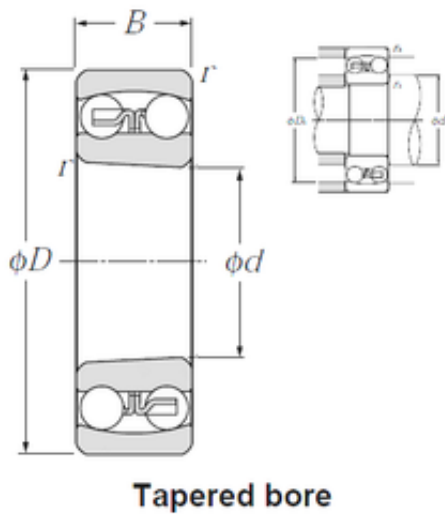




BEARING CORP. LTD.



75 mm x 160 mm x 55 mm NTN 2315SK self aligning ball bearings

Bearing No. 2315SK

2315SK Bearing 2D drawings and 3D CAD models

Size	75x160x55 mm
Bore Diameter	75 mm
Outer Diameter	160 mm
Width	55 mm
d	75 mm
D	160 mm
B	55 mm
C	55 mm
r min.	2,1 mm
da min.	86 mm
Da max.	149 mm
ra max.	2 mm
Weight	4,77 Kg
Basic dynamic load rating (C)	125 kN
Basic static load rating (C0)	43 kN
(Grease) Lubrication Speed	3 400 r/min
(Oil) Lubrication Speed	4 300 r/min
Calculation factor (e)	0,38
Calculation factor (Y0)	1,7
Calculation factor (Y1)	1,6
rs min	2.1 mm
Associated sleeve reference	H2315X
e	0.38
Y1	1.6
Y2	2.5



BEARING CORP. LTD.

Y0	1.7
Radial clearance class	CN
Precision class	P0
Mass	4.77 kg
Dynamic load, C	125 kN
Static load, C0	43 kN
Nlim (oil)	4,300 rpm
Nlim (grease)	3,400 rpm
Min operating temperature, Tmin	-20 ° C
Max operating temperature, Tmax	120 ° C
da min	86 mm
da max	96 mm
db min	82 mm
Ce min	5 mm
Da max	149 mm
ra max	2 mm