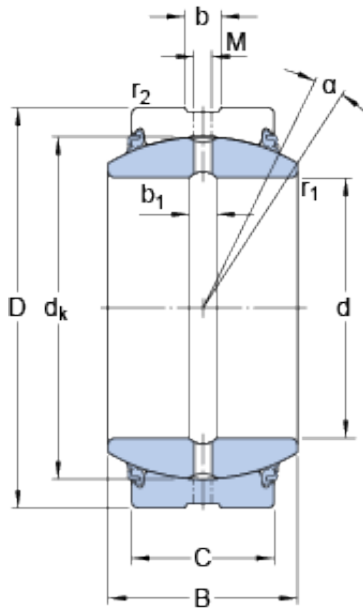




# BEARING CORP. LTD.

## 20 mm x 35 mm x 16 mm SKF GE 20 ES-2LS plain bearings

Bearing No. GE 20 ES-2LS



GE 20 ES-2LS Bearing 2D drawings and 3D CAD models

Size	35x20x16 mm
Bore Diameter	35 mm
Outer Diameter	20 mm
Width	16 mm
d	20 mm
D	35 mm
B	16 mm
C	12 mm
	9 °
d <sub>k</sub>	29 mm
b	3.1 mm
b <sub>1</sub>	3.1 mm
M	2 mm
r <sub>1</sub> - min.	0.3 mm
r <sub>2</sub> - min.	0.3 mm
d <sub>a</sub> - min.	22.1 mm
d <sub>a</sub> - max.	24.2 mm
D <sub>a</sub> - min.	30.9 mm
D <sub>a</sub> - max.	33.2 mm
r <sub>a</sub> - max.	0.3 mm
r <sub>b</sub> - max.	0.3 mm
Basic dynamic load rating - C	30 kN
Basic static load rating - C <sub>0</sub>	146 kN
Specific factor dynamic load - K	100 N/mm <sup>2</sup>



## BEARING CORP. LTD.

Specific factor static load - $K_0$	500 N/mm <sup>2</sup>
Constant - $K_M$	330
Lubricant	Regular relubrication – grease
Design (sliding contact surface combination)	Steel/steel
Sealing solution	Triple-lip seals
	9 °
$d_k$	29 mm
$b_1$	3.1 mm
$r_1$ min.	0.3 mm
$r_2$ min.	0.3 mm
$d_a$ min.	22.1 mm
$d_a$ max.	24.2 mm
$D_a$ min.	30.9 mm
$D_a$ max.	33.2 mm
$r_a$ max.	0.3 mm
$r_b$ max.	0.3 mm
Basic dynamic load rating C	30 kN
Basic static load rating $C_0$	146 kN
Specific dynamic load factor K	100 N/mm <sup>2</sup>
Specific static load factor $K_0$	500 N/mm <sup>2</sup>
Material constant $K_M$	330
Mass plain bearing	0.065 kg