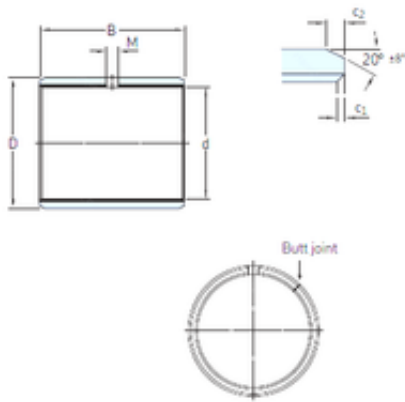




# BEARING CORP. LTD.

17,463 mm x 19,844 mm x 22,225 mm SKF PCZ 1114 M plain bearings



Bearing No. PCZ 1114 M

Size	17.463x19.844x22.225 mm
Bore Diameter	17,463 mm
Outer Diameter	19,844 mm
Width	22,225 mm
d	17,463 mm
D	19,844 mm
B	22,225 mm
c1 min	0,1 mm
c2 min	0,2 mm
M	3 mm
Weight	0,0093 Kg
Basic dynamic load rating (C)	46,5 kN
c <sub>1</sub> min.	0.1 mm
c <sub>1</sub> max.	0.6 mm
c <sub>2</sub> min.	0.2 mm
c <sub>2</sub> max.	1 mm
± 8	20 °
Shaft diameter range min.	17.17 mm
Shaft diameter range max.	17.196 mm
Housing bore range min.	19.842 mm
Housing bore range max.	19.865 mm
Basic dynamic load rating - radial direction C	46.5 kN
Basic static load rating - radial direction C <sub>0</sub>	96.5 kN

PCZ 1114 M Bearing 2D drawings and 3D CAD models



## BEARING CORP. LTD.

Specific dynamic load factor $K$	120 N/mm <sup>2</sup>
Specific static load factor $K_0$	250 N/mm <sup>2</sup>
Factor depending on material and bearing type $K_M$	1900
Permissible sliding velocity $v$ min.	0 m/s
Permissible sliding velocity $v$ max.	2.5 m/s
Coefficient of friction $\mu$ min.	0.02
Coefficient of friction $\mu$ max.	0.2
Mass bushing	0.0093 kg