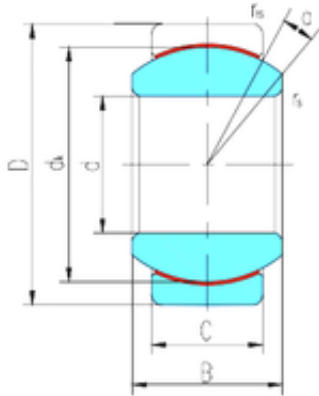




BEARING CORP. LTD.

70 mm x 105 mm x 49 mm LS GE70ET-2RS
plain bearings



Bearing No. GE70ET-2RS

Size	70x105x49 mm
Bore Diameter	70 mm
Outer Diameter	105 mm
Width	49 mm
d	70 mm
D	105 mm
B	49 mm
C	40 mm
dk	92 mm
r min.	1 mm
r1 min.	1 mm
Angle	6 °
Weight	1,57 Kg
Basic dynamic load rating (C)	550 kN

GE70ET-2RS Bearing 2D drawings and 3D CAD models