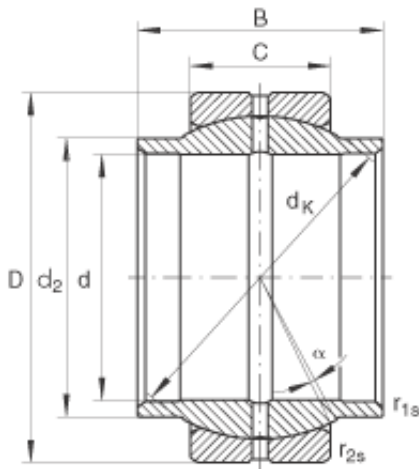




# BEARING CORP. LTD.



## INA GE63-LO plain bearings

Bearing No. GE63-LO

Size	63x95x63 mm
Bore Diameter	63 mm
Outer Diameter	95 mm
Width	63 mm
C	36 mm
$D_{a \min}$	78 mm
$d_2$	71,5 mm
$d_k$	83 mm
$r_{1s \min}$	1 mm
$r_{2s \min}$	1 mm
$\alpha$ ( ° )	4
Weight (kg)	1,3
$C_r$ (N)	254000
$C_{0r}$ (N)	1270000
Category	Spherical Plain Bearings - Radial
Inventory	0.0
Manufacturer Name	SCHAEFFLER GROUP
Minimum Buy Quantity	N/A
Weight / Kilogram	1.533
Product Group	B04264
Self Aligning	Yes
Rolling Element	Spherical Plain
Material - Outer Member	Steel
Material - Ball	Steel
Material - Liner	Not Applicable

GE63-LO Bearing 2D drawings and 3D CAD models



## BEARING CORP. LTD.

Relubricatable	Yes
Enclosure	Open
Other Features	2 Piece   Single Axial Split in Outer Ring   Extended Inner Ring on Both Sides
Long Description	63MM Bore; 36MM Housing Width; 95MM Outside Diameter; Spherical Plain; Steel Outer Member; Steel Ball; No Liner; 63MM Overall Width; Relubricatable
Inch - Metric	Metric
Category	Plain Bearings Spherical Radial
UNSPSC	31171515
Harmonized Tariff Code	8483.30.80.70
Noun	Bearing
Keyword 3	Spherical
Keyword String	Plain Spherical Radial
Manufacturer URL	<a href="http://www.ina.com">http://www.ina.com</a>
Manufacturer Item Number	GE63LO
Weight / LBS	2.646
Bore	2.48 Inch   63 Millimeter
Housing Width	1.417 Inch   36 Millimeter
Outside Diameter	3.74 Inch   95 Millimeter
Overall Width	2.48 Inch   63 Millimeter