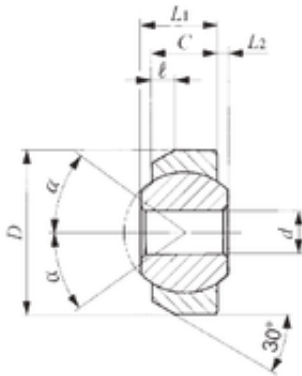




# BEARING CORP. LTD.

## IKO SNA 4 plain bearings

Bearing No. SNA 4



SNA 4 Bearing 2D drawings and 3D CAD models

Size	4x15x6 mm
Bore Diameter	4 mm
Outer Diameter	15 mm
Width	6 mm
d	4 mm
D	15 mm
C	6 mm
L2	1 mm
dk	11,112 mm
L1	7 mm