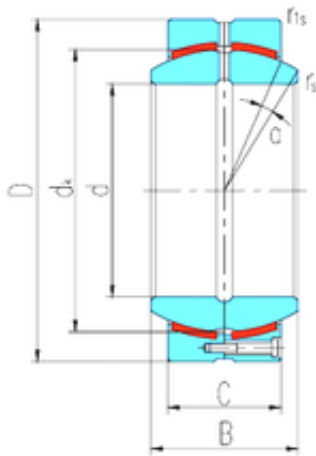




BEARING CORP. LTD.

600 mm x 850 mm x 425 mm LS GEH600HCS
plain bearings



Bearing No. GEH600HCS

Size	600x850x425 mm
Bore Diameter	600 mm
Outer Diameter	850 mm
Width	425 mm
d	600 mm
D	850 mm
B	425 mm
C	400 mm
dk	773 mm
r min.	2 mm
r1 min.	6 mm
Angle	2 °
Weight	903 Kg
Basic dynamic load rating (C)	30920 kN

GEH600HCS Bearing 2D drawings and 3D CAD models