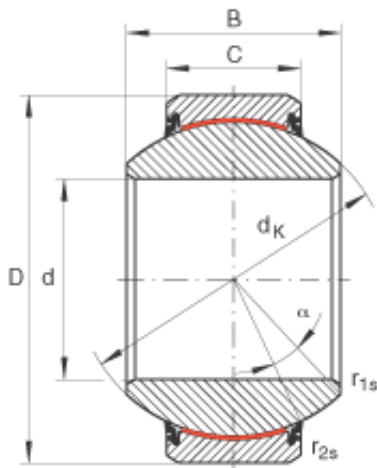




BEARING CORP. LTD.



INA GE100-FW-2RS plain bearings

Bearing No. GE100-FW-2RS

GE100-FW-2RS Bearing 2D drawings and 3D CAD models

Size	100x160x85 mm
Bore Diameter	100 mm
Outer Diameter	160 mm
Width	85 mm
C	55 mm
$D_{a \min}$	134 mm
$d_{a \max}$	111,2 mm
d_K	140 mm
$r_{1s \min}$	1 mm
$r_{2s \min}$	1 mm
α (°)	14
Weight (kg)	6
C_r (N)	1850000
C_{Or} (N)	3080000
Category	Spherical Plain Bearings - Radial
Inventory	0.0
Manufacturer Name	SCHAEFFLER GROUP
Minimum Buy Quantity	N/A
Weight / Kilogram	7.137
EAN	4012802532197
Product Group	B04264
Self Aligning	Yes
Rolling Element	Spherical Plain
Material - Outer Member	Steel
Material - Ball	Steel



BEARING CORP. LTD.

Material - Liner	Teflon
Relubricatable	No
Enclosure	2 Seals
Other Features	2 Piece Wide Inner Ring Larger Tilt Angle
Long Description	100MM Bore; 55MM Housing Width; 160MM Outside Diameter; Spherical Plain; Steel Outer Member; Steel Ball; Teflon Liner; 85MM Overall Width; Not Relubricatable
Inch - Metric	Metric
Category	Plain Bearings Spherical Radial
UNSPSC	31171515
Harmonized Tariff Code	8483.30.80.70
Noun	Bearing
Keyword 3	Spherical
Keyword String	Plain Spherical Radial
Manufacturer URL	http://www.ina.com
Manufacturer Item Number	GE100FW2RSB
Weight / LBS	13.01
Overall Width	3.346 Inch 85 Millimeter
Housing Width	2.165 Inch 55 Millimeter
Bore	3.937 Inch 100 Millimeter
Outside Diameter	6.299 Inch 160 Millimeter