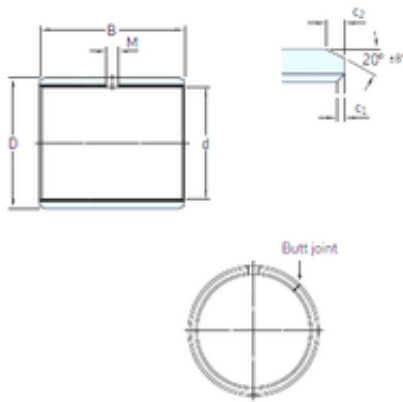




BEARING CORP. LTD.

31.75 mm x 35,719 mm x 25,4 mm SKF PCZ 2016 E plain bearings



Bearing No. PCZ 2016 E

Size	31.75x35.719x25.4 mm
Bore Diameter	31.75 mm
Outer Diameter	35,719 mm
Width	25,4 mm
d	31.75 mm
D	35,719 mm
B	25,4 mm
c1 min	0,1 mm
c2 min	0,8 mm
M	– mm
Weight	0,04 Kg
Basic dynamic load rating (C)	64 kN
c ₁ min.	0.1 mm
c ₁ max.	0.7 mm
c ₂ min.	0.8 mm
c ₂ max.	1.6 mm
± 8	20 °
Shaft diameter range min.	31.679 mm
Shaft diameter range max.	31.72 mm
Housing bore range min.	35.707 mm
Housing bore range max.	35.733 mm
Basic dynamic load rating - radial direction C	64 kN
Basic static load rating - radial direction C ₀	196 kN

PCZ 2016 E Bearing 2D drawings and 3D CAD models



BEARING CORP. LTD.

Specific dynamic load factor K	80 N/mm ²
Specific static load factor K_0	250 N/mm ²
Factor depending on material and bearing type K_M	480
Permissible sliding velocity v min.	0 m/s
Permissible sliding velocity v max.	2 m/s
Coefficient of friction μ min.	0.03
Coefficient of friction μ max.	0.25
Mass bushing	0.04 kg