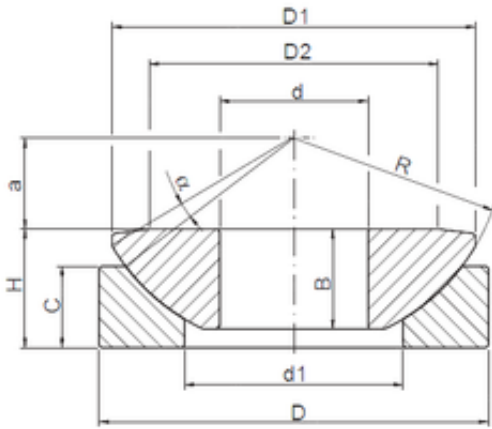




BEARING CORP. LTD.

70 mm x 160 mm x 40 mm ISO GE70AW plain bearings

Bearing No. GE70AW



GE70AW Bearing 2D drawings and 3D CAD models

Size	70x160x50 mm
Bore Diameter	70 mm
Outer Diameter	160 mm
Width	50 mm
d	70 mm
D	160 mm
H	50 mm
a	35 mm
d1	95 mm
B	40 mm
C	36 mm
D1	149,5 mm
D2	121 mm
R	170 mm
Angle	6 °