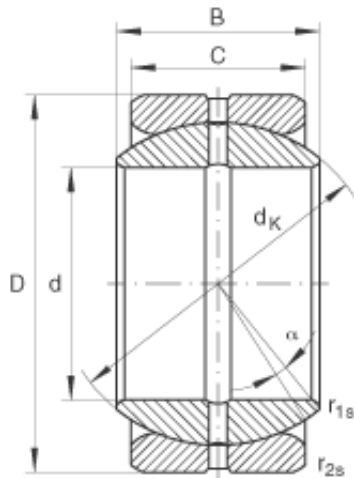




BEARING CORP. LTD.



INA GE76-ZO plain bearings

Bearing No. GE76-ZO

Size	76.2x120.65x66.675 mm
Bore Diameter	76,2 mm
Outer Diameter	120,65 mm
Width	66,675 mm
C	57,15 mm
D _{a min}	98 mm
d _{a max}	86,8 mm
d _K	109,5 mm
r _{1s min}	1 mm
r _{2s min}	1 mm
alf (°)	6
Weight (kg)	3
C _r (N)	500000
C _{0r} (N)	1500000
Category	Spherical Plain Bearings - Radial
Inventory	0.0
Manufacturer Name	SCHAEFFLER GROUP
Minimum Buy Quantity	N/A
Weight / Kilogram	3.596
EAN	4012802039443
Product Group	B04264
Self Aligning	Yes
Rolling Element	Spherical Plain
Material - Outer Member	Steel
Material - Ball	Steel

GE76-ZO Bearing 2D drawings and 3D CAD models



BEARING CORP. LTD.

Material - Liner	Not Applicable
Relubricatable	Yes
Enclosure	Open
Other Features	2 Piece Single Axial Split in Outer Ring
Long Description	3" Bore; 2-1/4" Housing Width; 4-3/4" Outside Diameter; Steel Outer Member; Steel Ball; No Liner; 2-5/8" Overall Width; Relubricatable
Inch - Metric	Inch
Category	Plain Bearings Spherical Radial
UNSPSC	31171515
Harmonized Tariff Code	8483.30.80.70
Noun	Bearing
Keyword 3	Spherical
Keyword String	Plain Spherical Radial
Manufacturer URL	http://www.ina.com
Manufacturer Item Number	GE76ZO
Weight / LBS	6.87
Bore	3 Inch 76.2 Millimeter
Overall Width	2.625 Inch 66.675 Millimeter
Outside Diameter	4.75 Inch 120.65 Millimeter
Housing Width	2.25 Inch 57.15 Millimeter