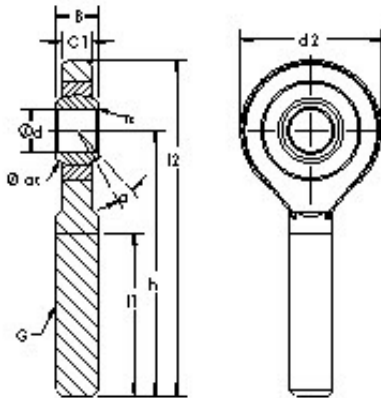




BEARING CORP. LTD.



AST SA35ES plain bearings

Bearing No. SA35ES

Bore Diameter	35 mm
Width	25 mm
Bearing Type - steel-on-steel	steelonsteel
Bore Dia (d)	35.0000
Width (B)	25.0000
Radius (min) (rs)	0.600
Dynamic Load Rating (Cr)	79,000
Static Load Rating (Cor)	146,000
Spherical Diameter (dk or Dk)	47.000
Mis-alignment Angle (a deg.)	6
Thread Length (I1)	82.000
Bore Center to End of Rod (h)	140.000
Rod Overall Length (I2)	181.000
Rod End Thickness (C1)	22.000
Bore Center to Body (I7)	41
Thread Size (G)	M36 X 3
Rod End Width (d2)	82.000
Weight (g)	1,400.00
Material - Body - Carbon steel-zinc plated, Ball - Hardened chrome steel-chrome plated	Hardened chrome steelchrome plated

SA35ES Bearing 2D drawings and 3D CAD models