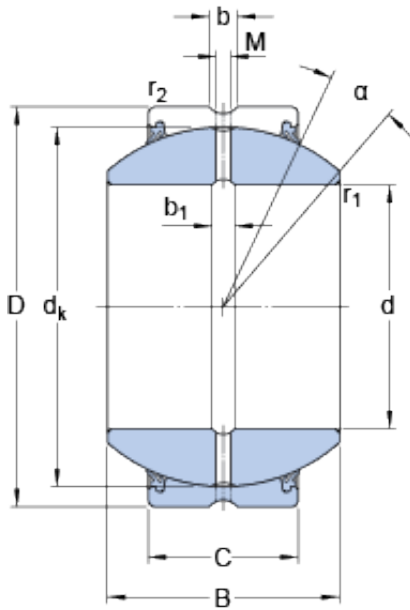




BEARING CORP. LTD.

82.55 mm x 139.7 mm x 82.931 mm SKF GEZH 304 ES-2RS plain bearings

Bearing No. GEZH 304 ES-2RS



GEZH 304 ES-2RS Bearing 2D drawings and 3D CAD models

Size	139.7x82.55x82.931 mm
Bore Diameter	139,7 mm
Outer Diameter	82,55 mm
Width	82,931 mm
d	82.55 mm
D	139.7 mm
B	82.931 mm
C	66.675 mm
	9 °
d _k	128.016 mm
b	10.5 mm
b ₁	8 mm
M	6.5 mm
r ₁ - min.	2 mm
r ₂ - min.	1 mm
d _a - min.	92.7 mm
d _a - max.	97.5 mm
D _a - min.	122.8 mm
D _a - max.	133.8 mm
r _a - max.	2 mm
r _b - max.	1 mm
Basic dynamic load rating - C	680 kN
Basic static load rating - C ₀	2040 kN
Specific factor dinamic load - K	100 N/mm ²



BEARING CORP. LTD.

Specific factor static load - K_0	300 N/mm ²
Constant - K_M	330
Lubricant	Regular relubrication – grease
Design (sliding contact surface combination)	Steel/steel
Sealing solution	Double-lip seals
	9 °
d_k	128.016 mm
b_1	8 mm
r_1 min.	2 mm
r_2 min.	1 mm
d_a min.	92.7 mm
d_a max.	97.5 mm
D_a min.	122.8 mm
D_a max.	133.8 mm
r_a max.	2 mm
r_b max.	1 mm
Basic dynamic load rating C	680 kN
Basic static load rating C_0	2040 kN
Specific dynamic load factor K	100 N/mm ²
Specific static load factor K_0	300 N/mm ²
Material constant K_M	330
Mass plain bearing	5.6 kg