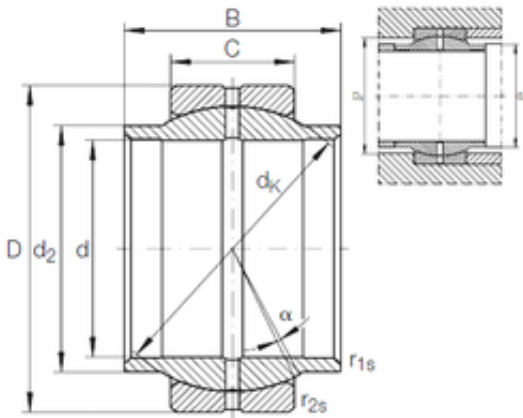




BEARING CORP. LTD.

320 mm x 520 mm x 320 mm INA GE 320 LO plain bearings

Bearing No. GE 320 LO



GE 320 LO Bearing 2D drawings and 3D CAD models

Size	320x520x320 mm
Bore Diameter	320 mm
Outer Diameter	520 mm
Width	320 mm
d	320 mm
D	520 mm
B	320 mm
C	160 mm
d2	405 mm
dk	450 mm
r1 min.	2,5 mm
r2 min.	4 mm
da max	405 mm
Da min	438 mm
Angle	4 °
Weight	224 Kg
Basic dynamic load rating (C)	6100 kN