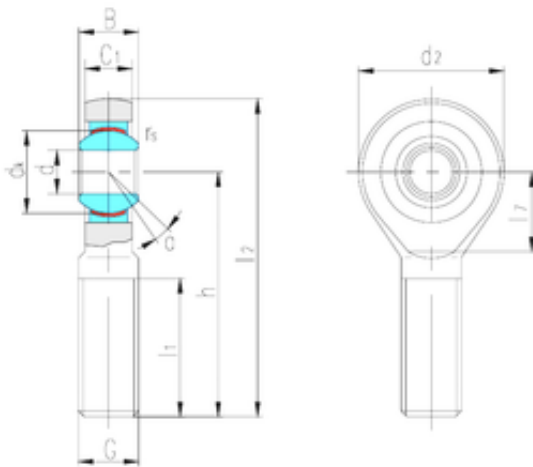




BEARING CORP. LTD.

LS SAJK20C plain bearings

Bearing No. SAJK20C



SAJK20C Bearing 2D drawings and 3D CAD models

Bore Diameter	20 mm
d	20 mm
B	25 mm
d2	50 mm
dk	34,93 mm
h	78 mm
l1 min.	45 mm
l2 max.	103 mm
l7 min.	27,5 mm
r min.	0,6 mm
C1	18,5 mm
Thread (G)	M20 × 1,5
Angle	14 °
Weight	0,4 Kg
Basic dynamic load rating (C)	34 kN