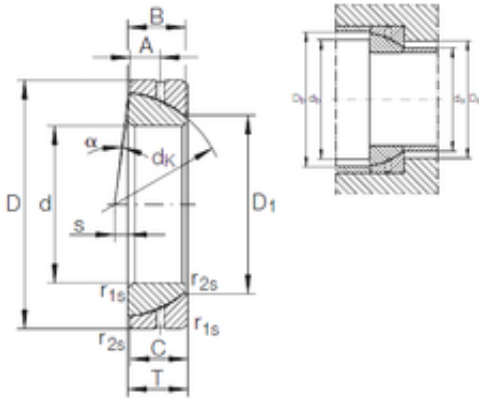




BEARING CORP. LTD.

65 mm x 100 mm x 22 mm INA GE 65 SX plain bearings



Bearing No. GE 65 SX

Size	65x100x23 mm
Bore Diameter	65 mm
Outer Diameter	100 mm
Width	23 mm
d	65 mm
D	100 mm
T	23 mm
B	22 mm
C	22 mm
dk	92 mm
r1 min.	1,5 mm
r2 min.	0,6 mm
A	11,5 mm
D1	75,6 mm
S	5 mm
da max	74,4 mm
Da min	84 mm
db min	83 mm
Db min.	93 mm
Angle	1,3 °
Weight	0,77 Kg
Basic dynamic load rating (C)	173 kN

GE 65 SX Bearing 2D drawings and 3D CAD models