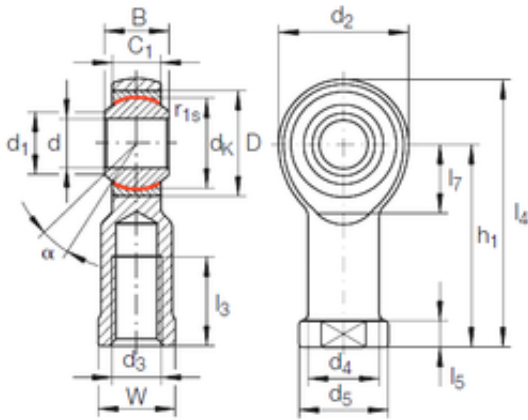




# BEARING CORP. LTD.

## 18 mm x 35 mm x 23 mm INA GIKL 18 PW plain bearings



Bearing No. GIKL 18 PW

Size	18x35x23 mm
Bore Diameter	18 mm
Outer Diameter	35 mm
Width	23 mm
d	18 mm
D	35 mm
B	23 mm
d1	21,8 mm
d2	46 mm
d4	25 mm
dk	31,75 mm
h1	71 mm
l3 min.	32 mm
l4 max.	94 mm
l5	10 mm
l7 min.	25 mm
r1 min.	0,3 mm
C1	16,5 mm
W	27 mm
Thread (G)	M18X1,5
Angle	15 °
d5	31 r/min
Weight	0,32 Kg
Basic dynamic load rating (C)	47,5 kN

GIKL 18 PW Bearing 2D drawings and 3D CAD models