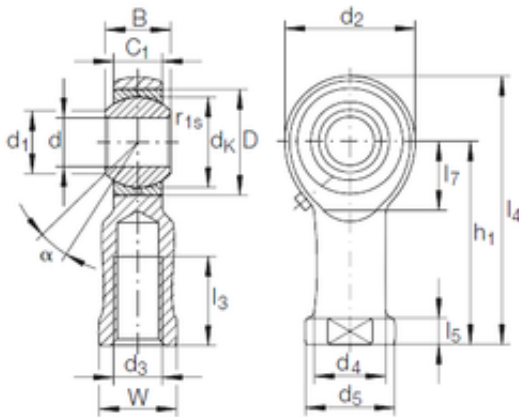


## 10 mm x 22 mm x 14 mm INA GIKFL 10 PB plain bearings

Bearing No. GIKFL 10 PB



GIKFL 10 PB Bearing 2D drawings and 3D CAD models

Size	10x22x14 mm
Bore Diameter	10 mm
Outer Diameter	22 mm
Width	14 mm
d	10 mm
D	22 mm
B	14 mm
d1	12,9 mm
d2	28 mm
d4	15 mm
dk	19,05 mm
h1	43 mm
l3 min.	20 mm
l4 max.	57 mm
l5	6,6 mm
l7 min.	15 mm
r1 min.	0,3 mm
C1	10,5 mm
W	17 mm
Thread (G)	M10
Angle	13 °
d5	19 r/min
Weight	0,077 Kg
Basic dynamic load rating (C)	10 kN