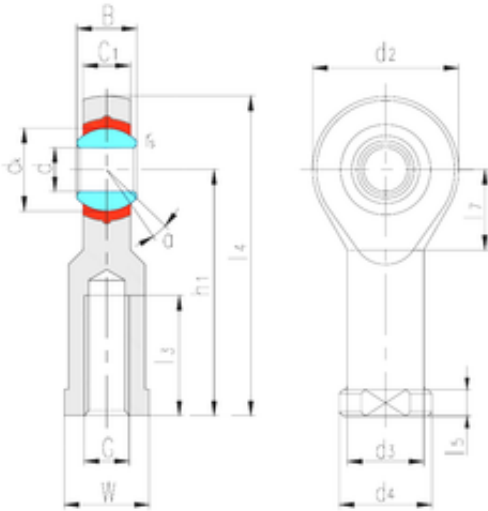




BEARING CORP. LTD.

LS SIBP14N plain bearings

Bearing No. SIBP14N



SIBP14N Bearing 2D drawings and 3D CAD models

Bore Diameter	14 mm
d	14 mm
B	19 mm
d2	34 mm
d3	20 mm
d4	25 mm
dk	25,4 mm
h1	57 mm
l3 min.	27 mm
l4 max.	74 mm
l5	8 mm
l7 min.	16 mm
r min.	0,3 mm
C1	13,5 mm
W	22 mm
Thread (G)	M14
Angle	16 °
Weight	0,161 Kg
Basic dynamic load rating (C)	17 kN