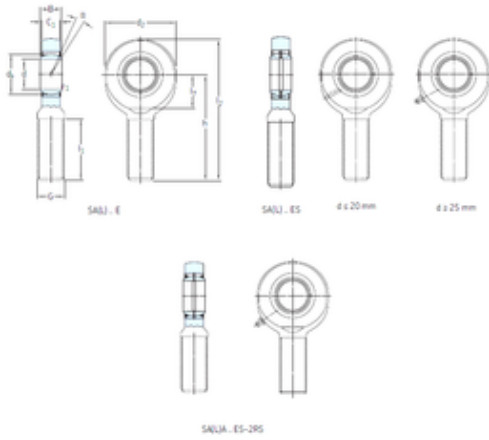




# BEARING CORP. LTD.



## SKF SAA45ES-2RS plain bearings

Bearing No. SAA45ES-2RS

Bore Diameter	45 mm
d	45 mm
d2	104 mm
dk	60 mm
h	163 mm
l1 min.	92 mm
l2 max.	217 mm
l7 min.	50 mm
r1 min.	0,6 mm
B	32 mm
C1	28 mm
Thread (G)	M42x3 Tolerance 6g
Angle	7 °
Weight	2,45 Kg
Basic dynamic load rating (C)	127 kN

SAA45ES-2RS Bearing 2D drawings and 3D CAD models