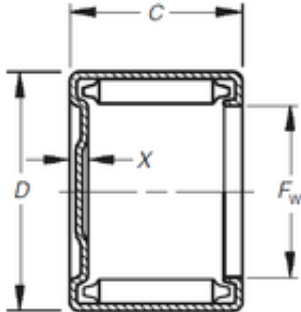




# BEARING CORP. LTD.

## Timken M-8121 needle roller bearings



Bearing No. M-8121

Size	12.7x17.463x19.05 mm
Bore Diameter	12,7 mm
Outer Diameter	17,463 mm
Width	19,05 mm
F <sub>w</sub>	12,7 mm
D	17,463 mm
C	19,05 mm
C1	2,03 mm
Weight	0,014 Kg
Basic dynamic load rating (C)	14,7 kN
Basic static load rating (C0)	27 kN
(Grease) Lubrication Speed	3600 r/min

M-8121 Bearing 2D drawings and 3D CAD models