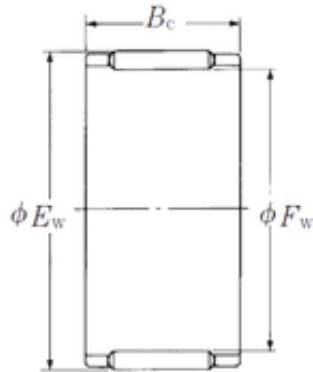




# BEARING CORP. LTD.

## NSK FBN-101313 needle roller bearings



Bearing No. FBN-101313

Bore Diameter	10 mm
Outer Diameter	13 mm
Fw	10 mm
Ew	13 mm
Bc	13 mm
Weight	0,0029 Kg
Basic dynamic load rating (C)	5,4 kN
Basic static load rating (C0)	6,35 kN
(Grease) Lubrication Speed	28000 r/min
hidYobi	FBN-101313
LangID	1
Prod_Type3	NRB_CNRA_FWF-FWJ
d	10
D_	13
DA_	1.5
Z_	12
C	5.4
B_	13
hidTable	ecat_NSCRA
yobi	FBN-101313
mass	2.9
GRS rpm	28000
OIL rpm	45000
SDM_	11.5
KBRG	8114
C0	6.35

FBN-101313 Bearing 2D drawings and 3D CAD models



# BEARING CORP. LTD.

SLR	9.8
-----	-----