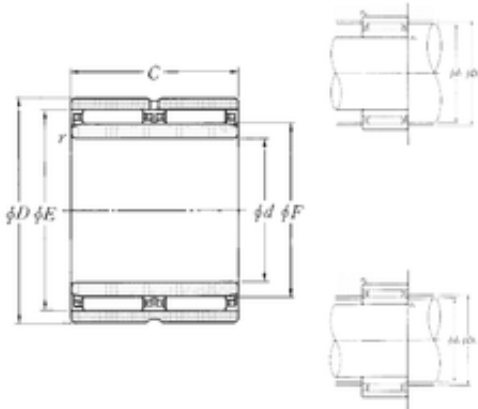




BEARING CORP. LTD.

10 mm x 22 mm x 20 mm NTN NAO-10 x 22 x 20ZW needle roller bearings



Bearing No. NAO-10 x 22 x 20ZW

Size	10x18x20 mm
Bore Diameter	10 mm
Outer Diameter	18 mm
Width	20 mm
d	10 mm
F	14 mm
D	22 mm
E	18 mm
B	20 mm
C	20 mm
r min.	0,3 mm
da min.	12 mm
Da max.	20 mm
db	17,6 mm
ra max.	0,3 mm
Db	14,4 mm
Weight	0,039 Kg
Basic dynamic load rating (C)	11,8 kN
Basic static load rating (C0)	16 kN
(Grease) Lubrication Speed	16 000 r/min

NAO-10 x 22 x 20ZW Bearing 2D drawings and 3D CAD models