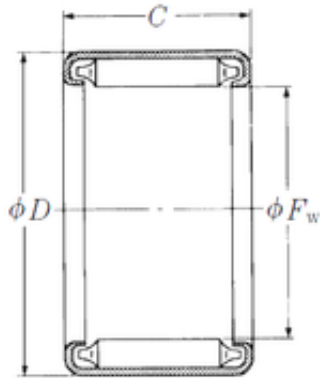




BEARING CORP. LTD.

NSK BH-1624 needle roller bearings



Bearing No. BH-1624

Size	25.4x33.338x38.1 mm
Bore Diameter	25,4 mm
Outer Diameter	33,338 mm
Width	38,1 mm
Fw	25,4 mm
D	33,338 mm
C	38,1 mm
Weight	0,085 Kg
Basic dynamic load rating (C)	51,5 kN

BH-1624 Bearing 2D drawings and 3D CAD models