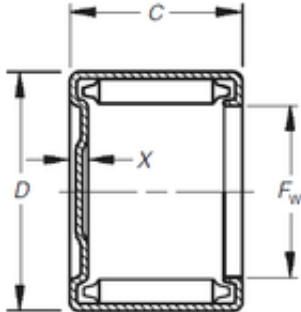




BEARING CORP. LTD.

Timken M-24201 needle roller bearings



Bearing No. M-24201

Size	38.1x47.625x31.75 mm
Bore Diameter	38,1 mm
Outer Diameter	47,625 mm
Width	31,75 mm
F _w	38,1 mm
D	47,625 mm
C	31,75 mm
C1	3,05 mm
Weight	0,135 Kg
Basic dynamic load rating (C)	61,8 kN
Basic static load rating (C0)	138 kN
(Grease) Lubrication Speed	2800 r/min

M-24201 Bearing 2D drawings and 3D CAD models